

2 WAY LINE AMPLIFIER 860 MHz [BNA860-2-x/x-x-x] **TaiTin**

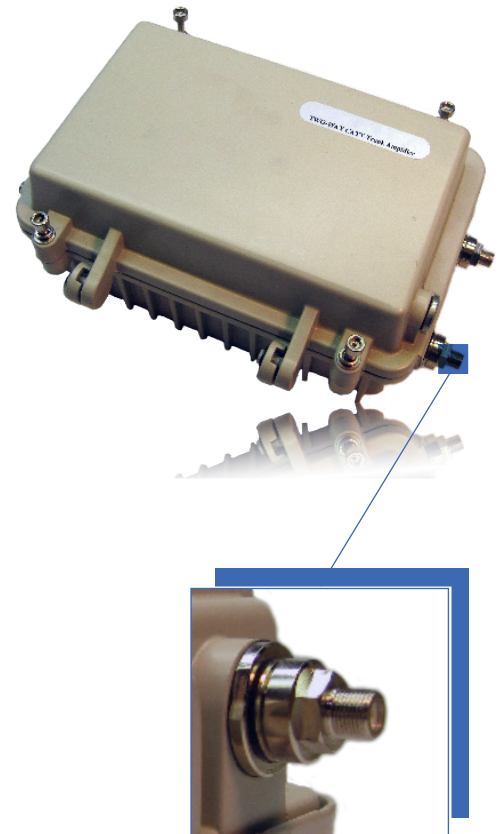
Cable Products, Amplifiers

Description

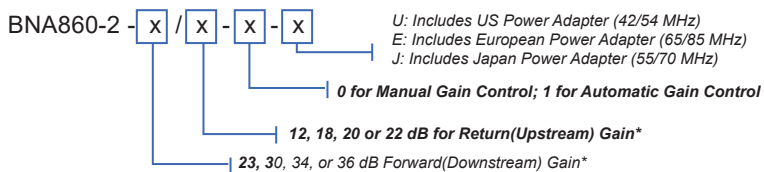
Taitin's BNA860-2-x/x-x-x is a 860 MHz two-way, two output line amplifier. Its modular design allows integration of the thermal compensator, forward (downstream), and return (upstream) amplifier in one water-resistant unit. This reliable, high performance amplifier provides a cost effective solution for optimization of HFC TV networks.

Features

- Automatically Adjusts Gain (AGC function) According to the Output Level or Environmental Temperature
- Modular Design with Detachable Amplifier and Power Supply
- GaAs Double Power Amplifier Module Offers High Linearity and Fidelity
- Rugged Outdoor Aluminum Alloy Die-cast Housing Offers Excellent Water Resistance and Electromagnetic Shielding Performance
- Uses Two-way Amplifier to Transport TV and data Signals
- Uses High Efficiency Wide Operating Range Switching Power Supply
- Diplex Filter Option Offers Various Band Splits



Ordering Information



*12 Return(Upstream) Gain Only Available with 23 Forward(Downstream) Gain
 *18 Return(Upstream) Gain Only Available with 34 Forward(Downstream) Gain
 *20 Return(Upstream) Gain Only Available with 36 Forward(Downstream) Gain
 *22 Return(Upstream) Gain Only Available with 30 Forward(Downstream) Gain

Model Number	Description	Box Weight	Dimensions (L x W x H)
BNA860-2-x/x-x-x	860 MHz 2 Port Line Amplifier	2.2 kg / 5 lbs	11.02 x 8.22x 3.94 in. (28 x 20.9 x 10 cm.)

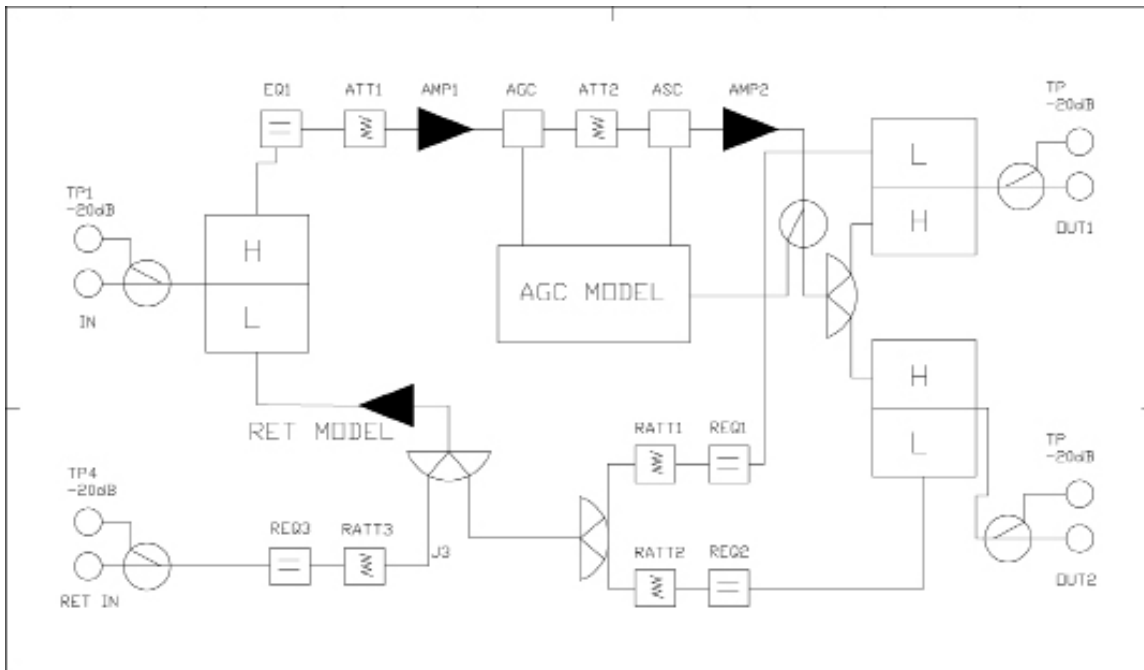
Forward (Downstream) Specifications

Forward (Downstream) Bandwidth	54/70/85 - 860 MHz
Max Gain	23/30/34/36 dB
Flatness	± 0.75 dB
Return Loss	≥ 15 dB
Noise Frequency Ratio	≤ 10 dB
Output Level	102 dBμV
Distortion*	CTB: > 65 dB CSO: > 63 dB
Hum Modulation	≥ 62 dB
AGC Range (optional)	± 4 dB ± 0.3 dB
Thermal Compensator (optional)	3.5 dB
Compensator Range (0-60 °C)	
Power Supply	60 VAC (30V-70V / 1-0.5A) or 220 VAC (150V-265V / 0.3-0.2A)
Operating Temperature	-20 to +50 °C (-4 to +122 °F)

Return (Upstream) Specifications

Return (Upstream) Bandwidth	5 - 42/55/65 MHz
Gain	12/18/20/22 dB
Flatness	± 0.75 dB
Return Loss	≥ 15 dB
Noise Frequency Ratio	≤ 8 dB

Block Diagram



* With AGC Module

* 59 Tv channels loading & 200 MHz digital signal. Output level is 105 dBμV (flat) with tilt of 6 dB

© Copyright 2012 TaiTin Enterprise Co., Ltd. All rights reserved. This document is for information only. Features and specifications are subject to change without notice. v121418